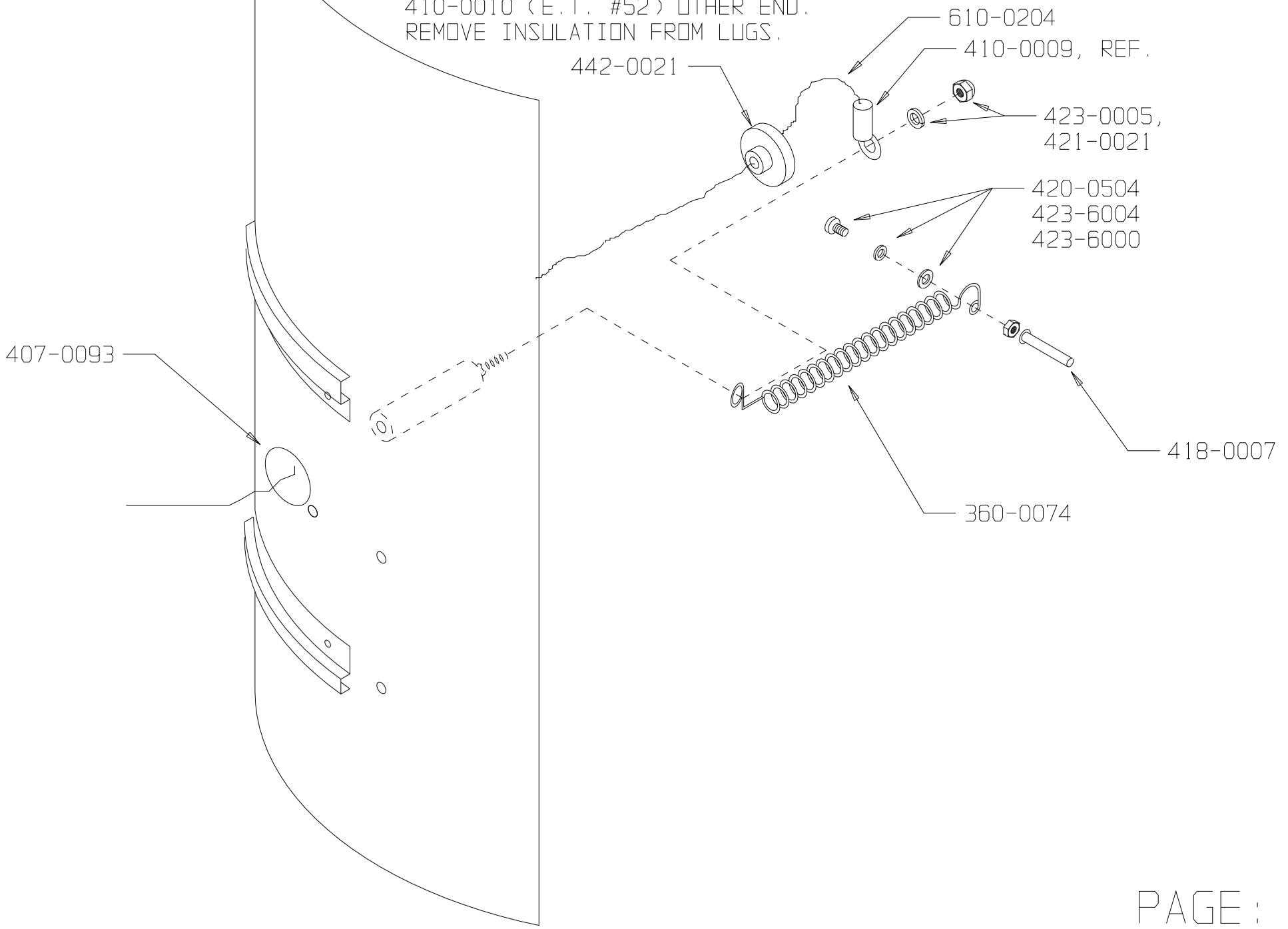
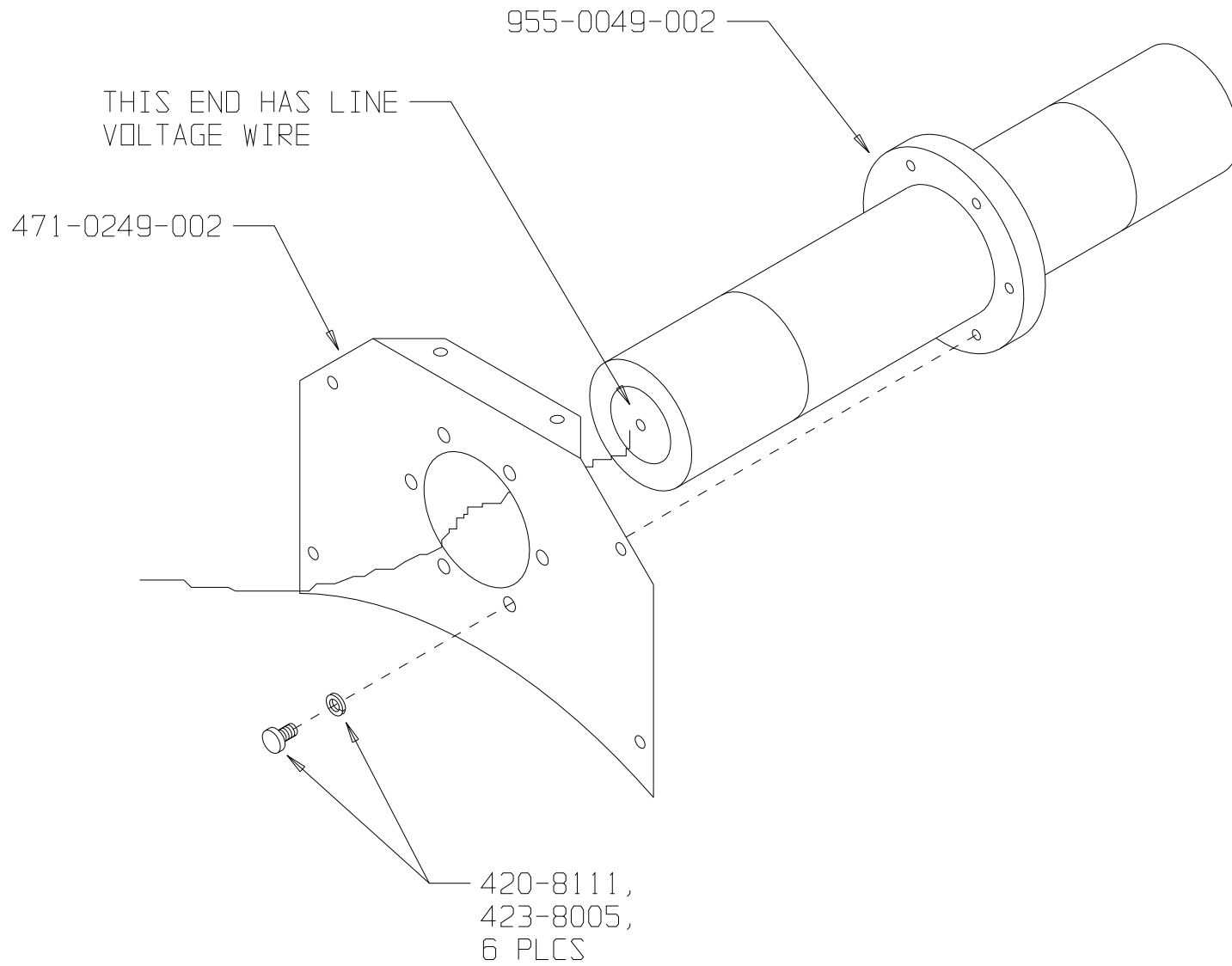
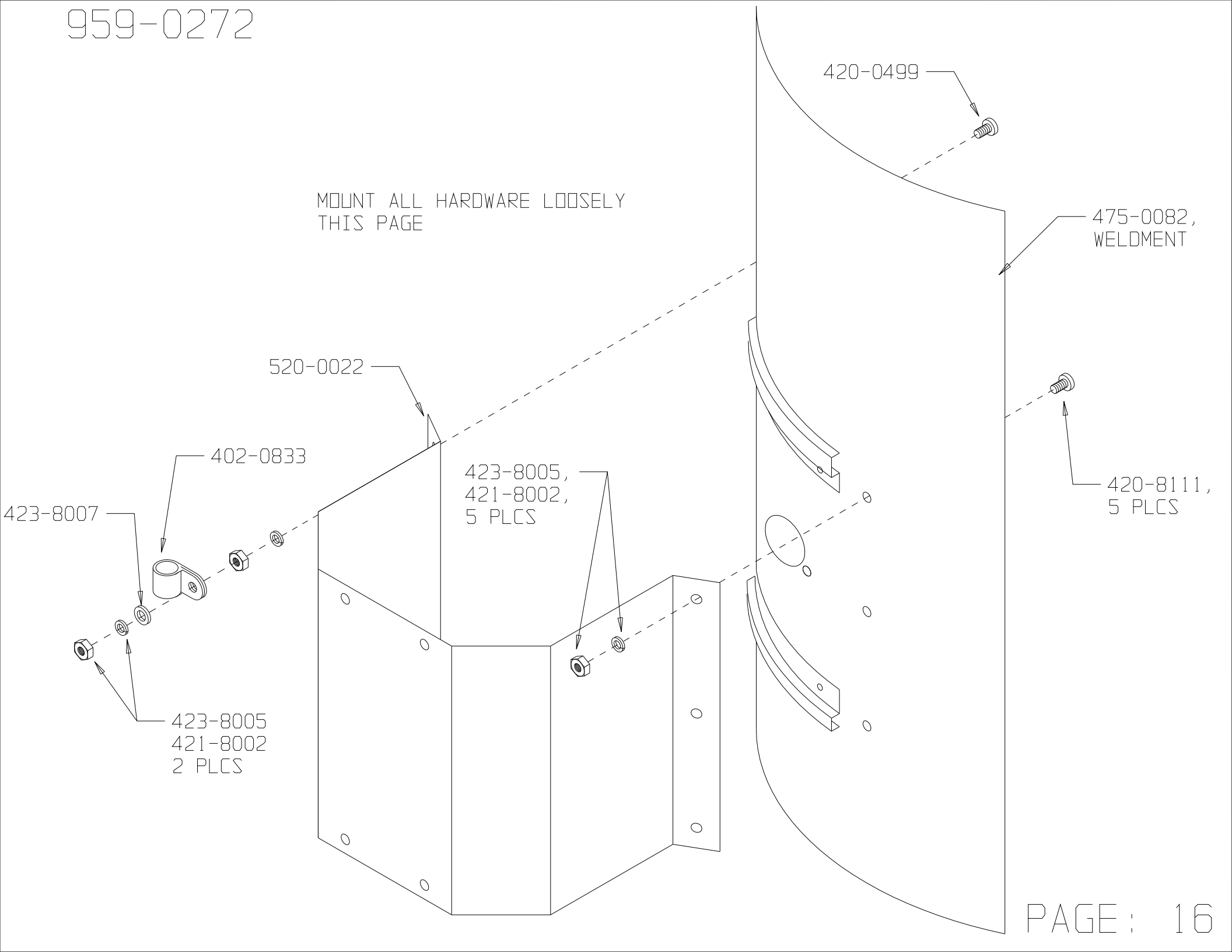


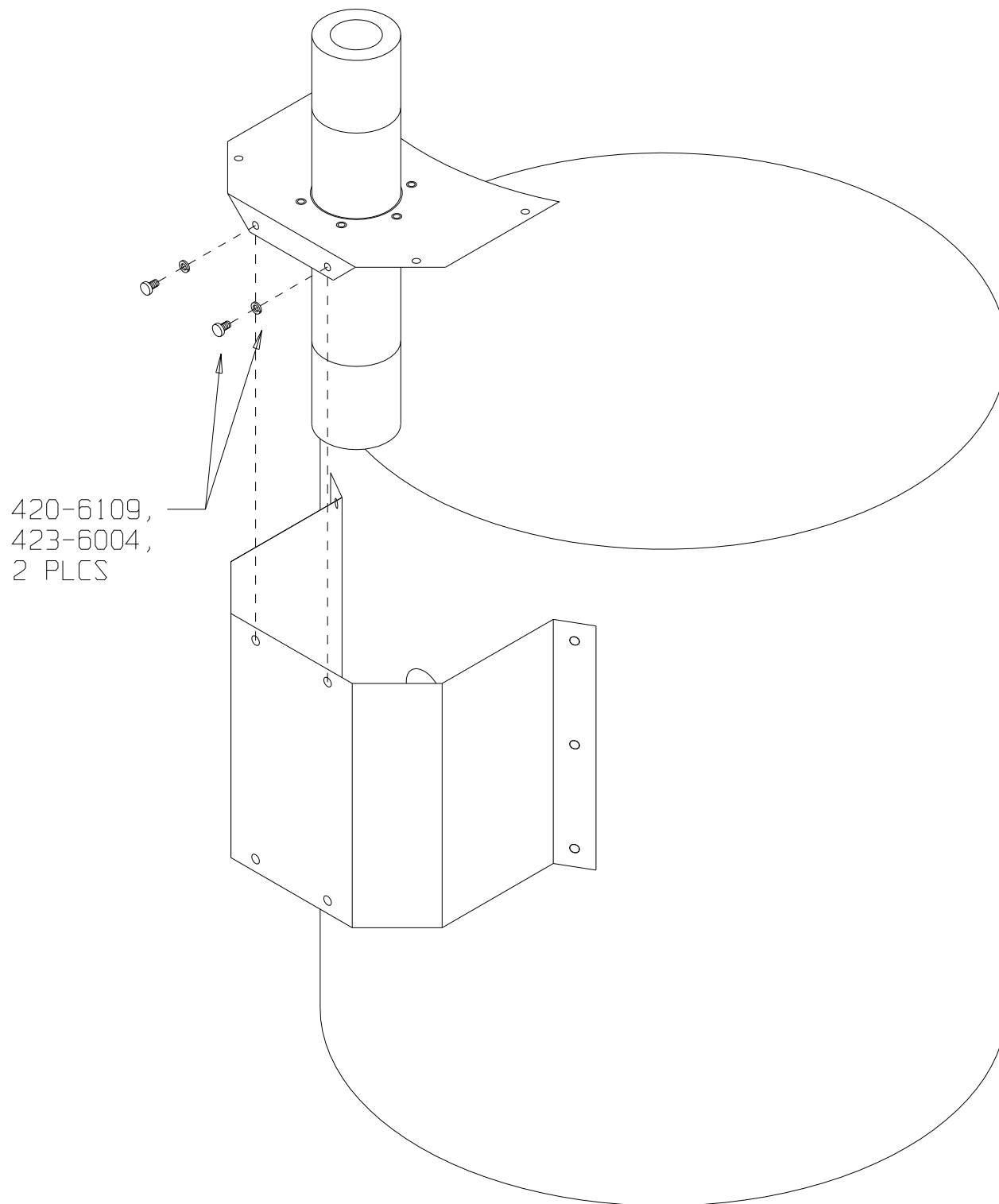
610-0204, CUT 6" LG. TO BE INSERTED THROUGH 442-0021 BEFORE WIRE END IS ADDED AS SHOWN, 410-0009 (E.T. #50) 410-0010 (E.T. #52) OTHER END. REMOVE INSULATION FROM LUGS.



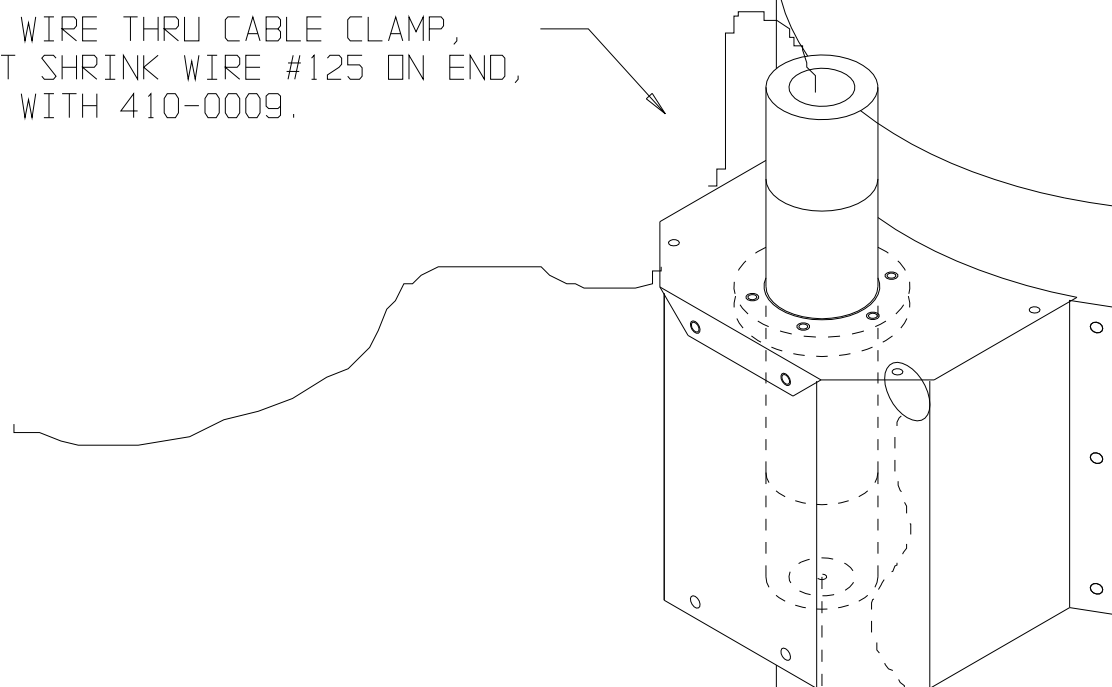


MOUNT ALL HARDWARE LOOSELY
THIS PAGE





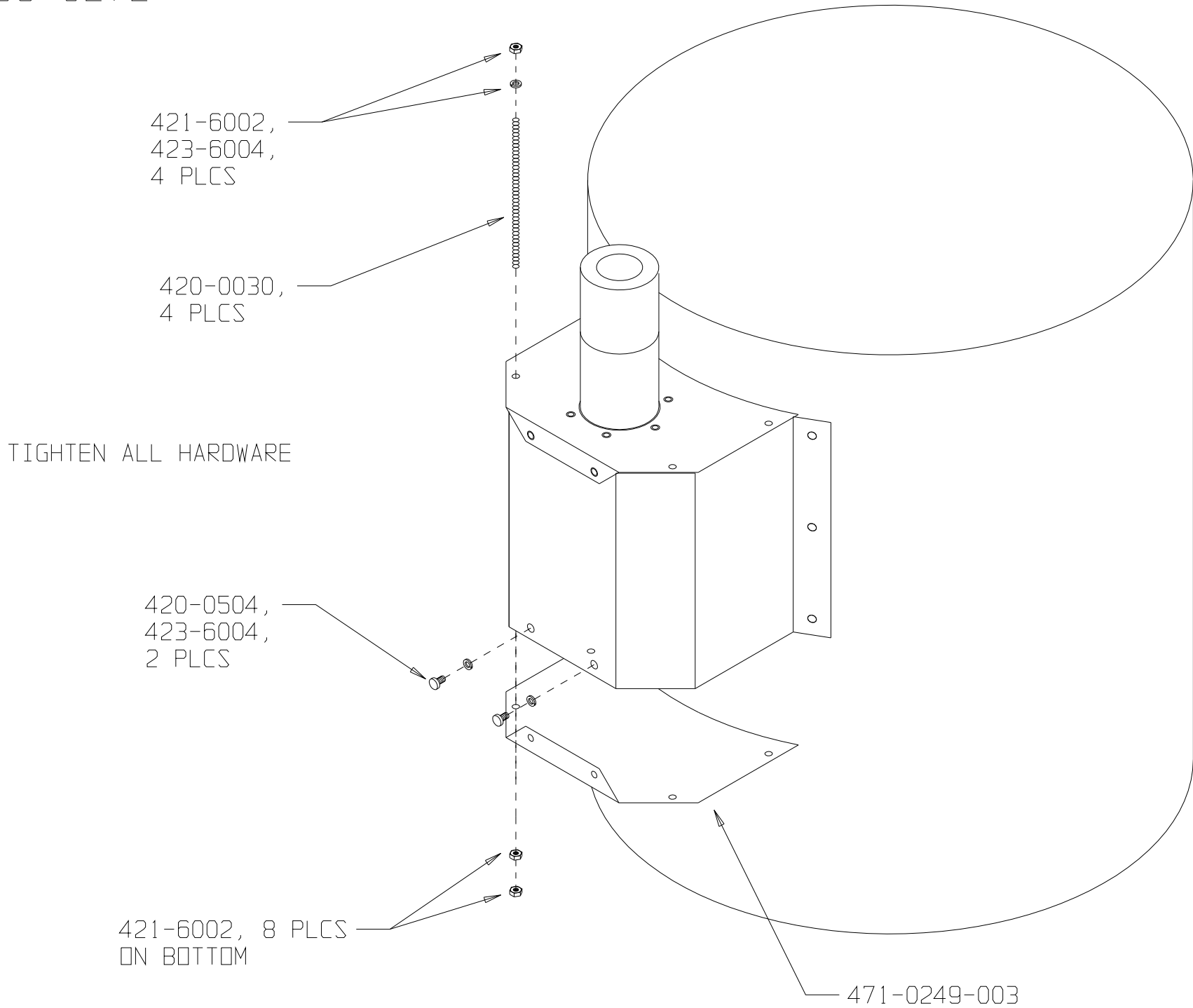
RUN WIRE THRU CABLE CLAMP,
HEAT SHRINK WIRE #125 ON END,
LUG WITH 410-0009.



SEE NOTE

420-1511,
423-1003

INSULATION TO BE
REMOVED FROM LUG



ALL HOLES NOT USED ON FM3.5/5 TO BE PLUGGED
WITH 420-0500, 423-0005, 421-0801

Item #	Qty	Item	Description	Price Ea.	Extended Price	co Net \$
A	1	360-0074	COIL,PLATE CHOKE,FM-10A	\$81.00	\$81.00	\$81.00
B	1	418-0007	PLUG,BANANA,STD UNINS.	\$7.00	\$7.00	\$7.00
C	1	420-0504	SCREW,6-32X.375,BR PH SC	\$3.00	\$3.00	\$3.00
D	1	423-6004	#6 LOCK SPLIT (BRONZE)	\$2.00	\$2.00	\$2.00
E	1	423-6000	#6 FLAT .375 X .144 X .030	\$2.00	\$2.00	\$2.00
F	1	423-0005	#10 LOCK SPLIT (BRONZE)	\$2.00	\$2.00	\$2.00
G	1	421-0021	#10-32 BR ACORN NUT	\$2.00	\$2.00	\$2.00
H	1	610-0204	CBL,AWG16,40KV SILICONE 3239	\$8.00	\$8.00	\$8.00
I	1	410-0009	LUG,TERM #10 RING CRIMP 16-14	\$4.00	\$4.00	\$4.00
J	1	407-0093	RING,0 1 1/8	\$5.00	\$5.00	\$5.00
K	1	955-0049-002	ASSY HV FEEDTHRU CAP.	\$508.00	\$508.00	\$508.00
L	1	471-0249-002	COVER,HV FEEDTHRU CAP	\$61.00	\$61.00	\$61.00
M	6	420-8111	SCREW,8-32X.500,BR PH	\$3.00	\$18.00	\$18.00
N	6	423-8005	#8 LOCK SPLIT	\$2.00	\$12.00	\$12.00
O	1	420-0499	SCREW,8-32X.750,BR PH	\$2.00	\$2.00	\$2.00
P	1	520-0022	HSNG,H.V. FEED THRU CAP.	\$160.00	\$160.00	\$160.00
Q	1	402-0833	CLAMP,CBL,1/4	\$2.00	\$2.00	\$2.00
R	1	423-8007	#8 FLAT .375 X .175 X .030	\$2.00	\$2.00	\$2.00
S	2	423-8005	#8 LOCK SPLIT	\$2.00	\$4.00	\$4.00
T	2	421-8002	8-32 HEX NUT, BRASS	\$2.00	\$4.00	\$4.00
U	5	423-8005	#8 LOCK SPLIT	\$2.00	\$10.00	\$10.00
V	5	421-8002	8-32 HEX NUT, BRASS	\$2.00	\$10.00	\$10.00
X	5	420-8111	SCREW,8-32X.500,BR PH	\$3.00	\$15.00	\$15.00
Y	2	420-6109	SCREW,6-32X.500,BR PH SC	\$3.00	\$6.00	\$6.00
Z	2	423-6004	#6 LOCK SPLIT (BRONZE)	\$2.00	\$4.00	\$4.00
AA	1	410-0009	LUG,TERM #10 RING CRIMP 16-14	\$4.00	\$4.00	\$4.00
AB	1	420-1511	SCREW,1/4-20X.500,BR SL PAN HD	\$3.00	\$3.00	\$3.00
AC	1	423-1003	1/4-20 LOCK SPLIT	\$2.00	\$2.00	\$2.00
AD	1	471-0249-003	COVER,HV FEEDTHRU CAP,FM10A	\$51.00	\$51.00	\$51.00
AE	4	421-6002	6-32 BRSS HEX NUT	\$3.00	\$12.00	\$12.00
AF	4	423-6004	#6 LOCK SPLIT (BRONZE)	\$2.00	\$8.00	\$8.00
AG	4	420-0030	SCREW,6-32X6.590,BRASS	\$21.00	\$84.00	\$84.00
AH	2	420-0504	SCREW,6-32X.375,BR PH SC	\$3.00	\$6.00	\$6.00
AI	2	423-6004	#6 LOCK SPLIT (BRONZE)	\$2.00	\$4.00	\$4.00
AJ	8	421-6002	6-32 BRSS HEX NUT	\$3.00	\$24.00	\$24.00
AK	4	420-0500	SCREW,10-32X.375,BR PH	\$2.00	\$8.00	\$8.00
AL	4	423-0005	#10 LOCK SPLIT (BRONZE)	\$2.00	\$8.00	\$8.00
AM	4	421-0801	#10-32 BR HEX NUT	\$3.00	\$12.00	\$12.00
AN	1	442-0021	BUSHING,HV FEED THRU CAP.	\$61.00	\$61.00	\$61.00

TOTALS: \$1,221.00 \$1,221.00